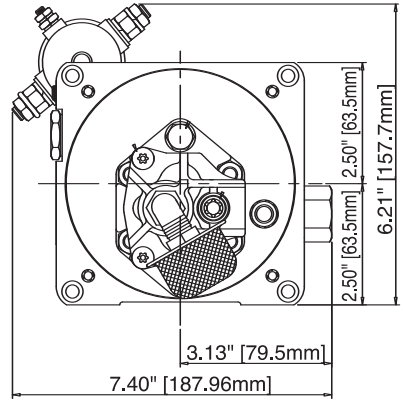
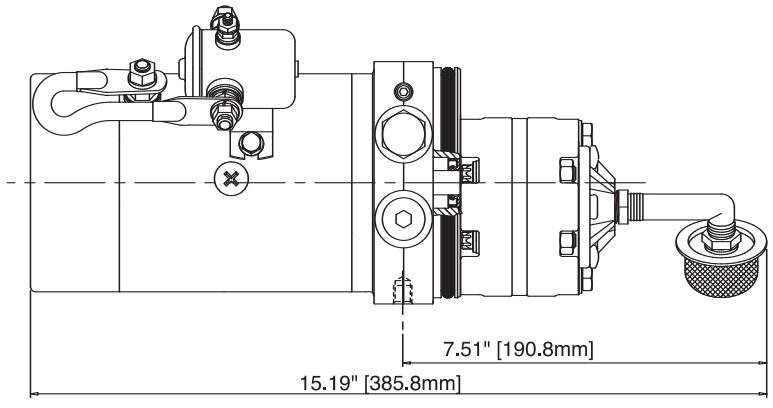


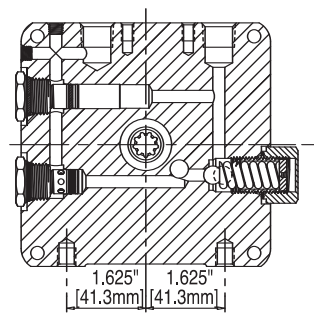
DC-90SF

12V DC RELIEF VALVE ONLY

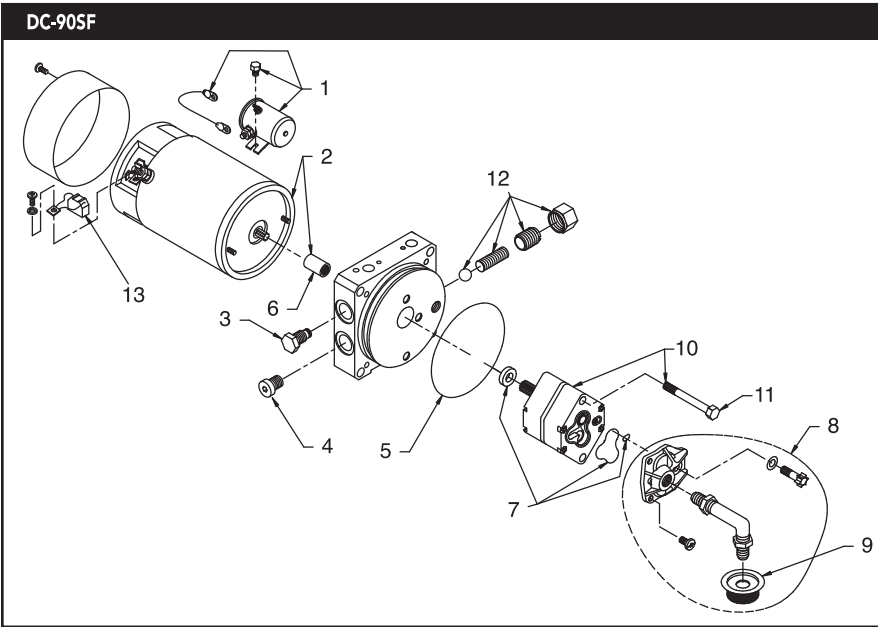
This unit provides flow & pressure for customer specific applications. The unit can be used on double acting applications. Features include an adjustable relief valve.



| UNIT SPECIFICATION | | HYDRAULIC CIRCUIT |
|--------------------|---|-------------------|
| Motor | 12V DC 1 Terminal Std. Duty Corrosion Resistant Plate Finish | |
| Pump | AFC 2.0 CC/Rev. (.122 Cu. In/Rev.) | |
| Relief | Adj. Set At 2500 PSI (172.4 Bar) | |
| Endhead (KN11*) | 3/8 NPTF Pressure & Return Ports (2) 3/8-16 X .38 Deep Mtg. Hole | |
| Tank | None | |
| Valving | Adj. Relief Valve | |
| Wiring | 12V To Solenoid Start Switch | |



ENDHEAD SECTION



| ITEM | DESCRIPTION | P/N | QTY. |
|------|-------------------------|------------|------|
| 1 | Solenoid Starter 12V | KS1 | 1 |
| 2 | DC Motor 12V | KMD1 | 1 |
| 3 | Valve Plug, Two Way | 2780-AA | 1 |
| 4 | Plug, 3/4-16 SAE | 1441-AA | 1 |
| 5 | Reservoir O-Ring | G1-1073-48 | 1 |
| 6 | Coupling | 1118-AA | 1 |
| 7 | Pump O-Ring Kit | K-40 | 1 |
| 8 | Inlet Plumbing Kit | KH | 1 |
| 9 | Filter | 1611-AA | 1 |
| 10 | Pump Assy. | KP20 | 1 |
| 11 | Pump Mounting Bolt | F1-1053-00 | 2 |
| 12 | Adj. Relief Valve Assy. | RV-2 | 1 |
| 13 | Motor Brush Kit | K-90 | 1 |

* Substitute KN10 for metric